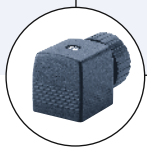


## 2/2-way-Solenoid Valve for neutral media up to +180°C, G 1/2 - G 1

- Solenoid valve with servo-piston
- Temperatures up to + 180 °C
- For neutral media, incl. steam
- Push-over coil system
- Threaded and flange valve bodies

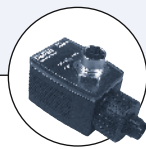
Type 0406 can be combined with...



**Type 2508**  
Cable plug



**Type 1078**  
Timer unit



**Type 2511**  
ASI cable plug

Type 0406 is a pilot controlled solenoid valve with servo-piston and is suitable for media up to +180 °C. A minimum differential pressure of 1 bar is required to fully open the valve.

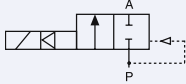
The valve is closed by its own media pressure and spring force without power supply.

Technical data	
<b>Orifice</b>	DN 13 - 25
<b>Body material</b>	Brass, grey cast iron
<b>Coil material</b>	Epoxy
<b>Coil insulation class</b>	H
<b>Seal material</b>	PTFE/graphite
<b>Media</b>	Neutral media such as hot water and steam
<b>Media temperature</b>	-10 to +180 °C
<b>Ambient temperature</b>	max. +55 °C
<b>Viscosity</b>	max. 21 mm <sup>2</sup> /s
<b>Voltage tolerance</b>	±10%
<b>Duty cycle</b>	100% continuous rating
<b>Electrical connection</b>	Cable plug for Ø 7 mm cable, acc. to DIN EN 175301-803 Form A (supplied as standard)
<b>Protection class</b>	IP 65 with cable plug
<b>Installation</b>	As required, preferably with actuator upright

Power consumption			
Orifice DN [mm]	Inrush AC [VA]	Hold (hot coil)	
		AC [VA/W]	DC [W]
13-25	21	12/8	8
32-40	35-40	16/12	-

## Ordering chart for valves (other versions on request)

All valves with PTFE and graphite-seal, with cable plug (exception see footnote)

Circuit function	Port connection	Orifice [mm]	Kv-value water [m <sup>3</sup> /h]	Pressure range [bar]	Body material	Item no. per voltage/frequency [V/Hz]			
						024/DC	024/50	230/50	
<b>A</b> 2/2-way-valve NC 	G 1/2	13	3.7	1 - 4	Brass	019 310	-	-	
	G 3/4	20	5.0	1 - 12	Brass	-	020 541	061 305	
				1 - 4	Brass	021 004	-	-	
	G 1	25	10.0	1 - 4	Brass	019 983	-	-	
				1 - 12	Brass	-	021 440	061 304	
	Flange acc. to DIN 2501			10.0	1 - 4	GG25	078 255 ■	-	-
					1 - 12	GG25	-	-	022 126

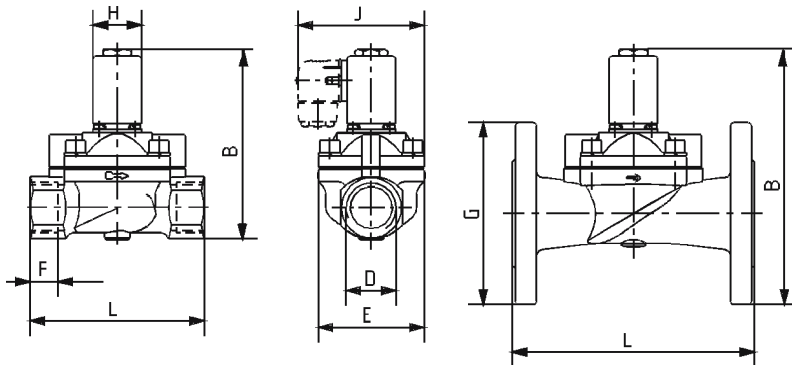
■ Flange version with Item-no. 078 255 (024/DC) supplied without cable plug.

### **i** Further versions on request

**⚡ Voltage**  
110/50, non-standard voltages

**🔍 Approvals**  
UL, UR, CSA

## Dimensions [mm]



DN	D	B	E	F	G	H	J	L
13	G 1/2	113	40	14	-	32	69	65
20	G 3/4	115	60	16	-	32	79	100
25	G 1	125	70	18	-	32	84	115
25	Flange	169	73	-	120	32	86	160

To find your nearest Bürkert facility, click on the orange box → [www.burkert.com](http://www.burkert.com)

In case of special application conditions, please consult for advice.

We reserve the right to make technical changes without notice.  
© Christian Bürkert GmbH & Co. KG

0801/1\_EU-en\_00891629